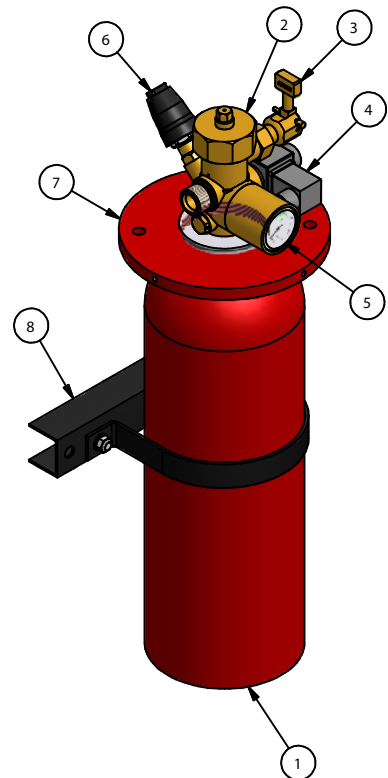
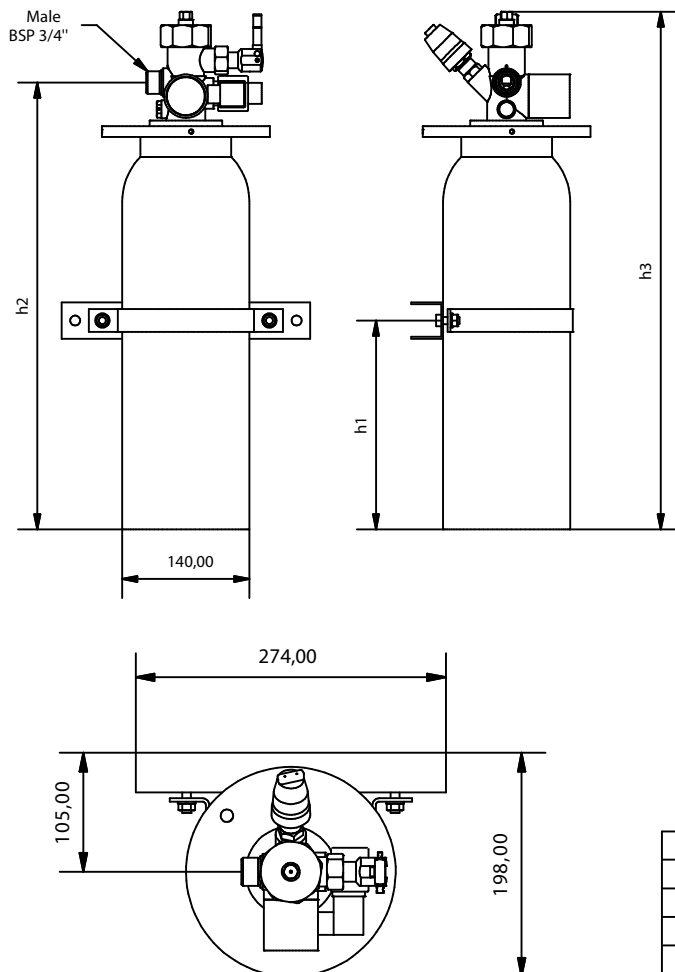


STAND-ALONE CYLINDER FROM 5 TO 13.4L HFC227ea WITHOUT CONTINUOUS WEIGHING AEX/FM4, AEX/FM6 y AEX/FM13

Parts List

Part Number	Reference and Description	AEX/FM4	AEX/FM6	AEX/FM13
1.1	BFE4 - 5 L Cylinder	X		
1.2	BFE6 - 6.7 L Cylinder		X	
1.3	BFE13 - 13.4 L Cylinder			X
2	AEX/VFM100S - Autonomous valve	X	X	X
3	AEX/PM160A - Manual lever	X	X	X
4	AEX/VS24 - Solenoid valve	X	X	X
5	AEX/M80 - Pressure gauge	X	X	X
6.1	AEX/PA - Pressure switch normally open with pressure (optional)	X	X	X
6.2	AEX/PC - Pressure switch normally closed with pressure (optional)	X	X	X
7	BRW80-1 - Cylinder flange with valve 100	X	X	X
8	H274 - ironwork for cylinders 5 to 13.4 L	X	X	X



Specifications

Reference	AEX/FM4	AEX/FM6	AEX/FM13
Capacity	5 L	6.7 L	13.4 L
Minimum load	2.4 Kg	3.3 Kg	6.5 Kg
Maximum load	5.7 Kg	7.7 Kg	15.4 Kg
h1	250 mm	350 mm	550 mm
h2	500 mm	700 mm	1100 mm
h3	580 mm	780 mm	1180 mm

Description: Autonomous cylinder equipped with hardware, solenoid, manual lever and pressure gauge

Token code:	Family tab:	Reference:	Drawn :	Date :	Reviewed:	Date :	Revision:	Format:
AEX-FTC-04-001	HFC 227ea	VER TABLA	DCM	26/04/2016	MRC	26/04/2016	1	A4